

Equipment Manual
JUMP BOARD





THIS MANUAL CONTAINS ESSENTIAL INFORMATION FOR THE USE OF YOUR EQUIPMENT.
PLEASE READ IT CAREFULLY BEFORE STARTING INSTALLATION AND OPERATION.
PRESERVE IT AND KEEP IT
FOR FUTURE CONSULTATIONS.

Equipment Manual

JUMP BOARD



Throughout this manual, this symbol on the left will indicate extremely important information that must be read, understood and strictly followed.

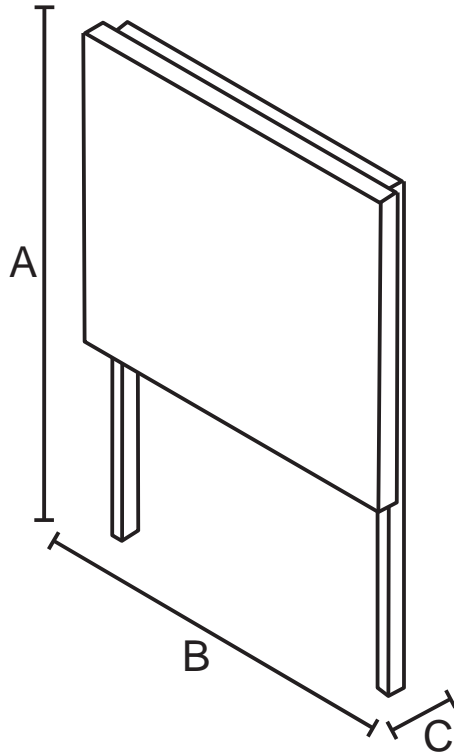
TABLE OF CONTENTS

Product presentation	3
Technical specifications	4
Packaging content.....	5
Installation Manual	6
Components.....	6
Preparation for Assembly	7
Detailed Assembly	8
User Manual.....	9
Maintenance and Safety	10
Warranty Term.....	13

PRODUCT PRESENTATION

The Jumping Board is a Reformer accessory that allows you to practice plyometric exercises. Its carbon steel structure and upholstery with AG150 Agglomerated Foam, coated in high-resistance eco leather, provide practical handling, stability, excellent impact absorption and perfect ergonomic layout.

TECHNICAL



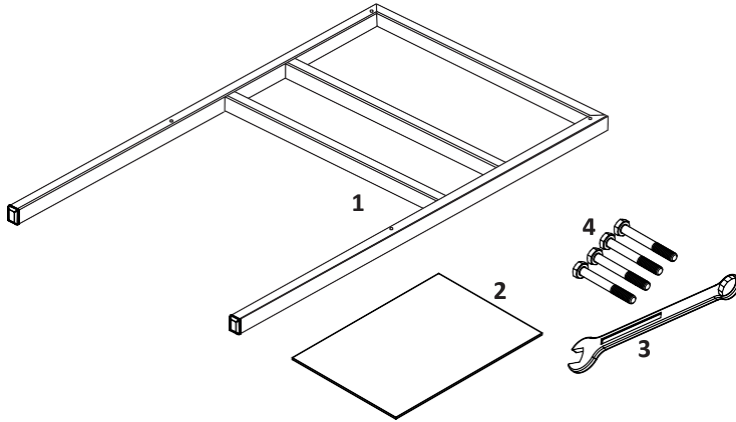
DIMENSION	JUMP BOARD
A	827mm
B	552mm
C	63mm

08 KG



Note: The weight of the equipment may change due to the density variation of the raw material used in its manufacture.

PACKAGING CONTENT



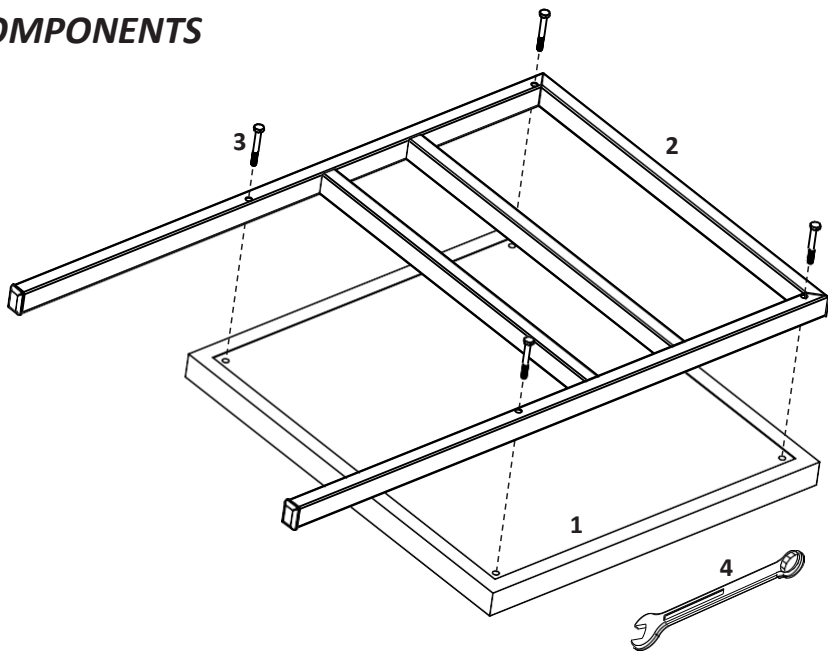
	CONTENT
1	PS SET
2	PS MANUAL
3	11MM COMBINATION WRENCH
4	HEX SCREW RP ZB 1/4X2

Installation Manual

For your convenience, Metalife has a Network of Authorized Technicians qualified to install your equipment. An installation fee will be charged for this service. Such installation does not comprise site preparation services, which are the responsibility of the client.

If you prefer, you can assemble your equipment yourself, as long as you follow the instructions in this manual step by step.

COMPONENTS

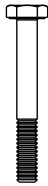
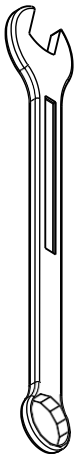


	<i>CONTENT</i>
1	<i>PS UPHOLSTERY</i>
2	<i>PS SET</i>
3	<i>HEX SCREW RP ZB 1/4X2</i>
4	<i>11MM COMBINATION WRENCH</i>

PREPARATION FOR ASSEMBLY

The Jump Board must be installed and used in an environment conducive to Pilates practice. The following characteristics must be respected in the equipment installation area:

- Proper leveling and floor stability;
- Low humidity;
- Protection against sunlight.



For your comfort, Metalife provides all the tools and fasteners needed to assemble your equipment.

Keep them for future maintenance or component replacement.



Make sure you have them at hand and identify them on the side and in the table on page 6 before starting assembly.



During assembly, the guidelines contained in this manual must be properly followed. The equipment is subject to damage during this process, so be careful when dealing with components and tools.

Damage caused by failure to comply with the instructions in this manual is the responsibility of the client.

If you have any questions or difficulties, please contact **Metalife Technical Assistance**.

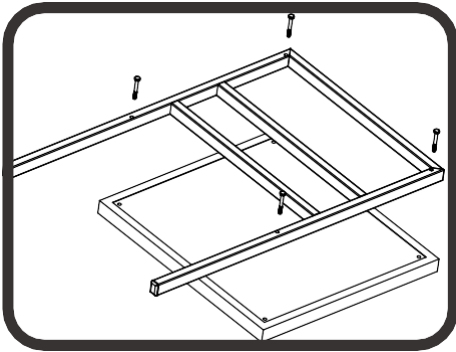


Following the instructions contained in this manual, it is estimated that the complete assembly of your Jump Board will take 2 minutes.



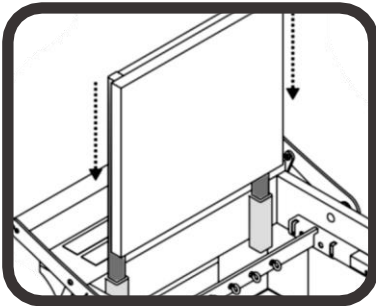
01 person is needed to assemble the equipment.

DETAILED ASSEMBLY



Loosen the nuts on the Reformer footboard

Using the 17MM COMBINATION WRENCH (supplied with the Metalife Reformer), loosen the four nuts on the footboard.

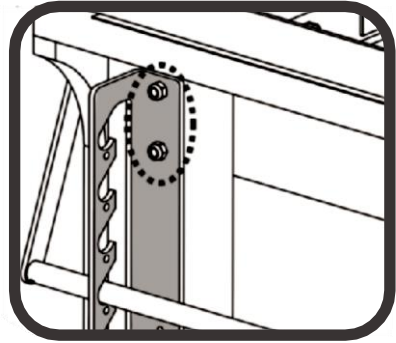


Retighten screws on the Reformer footboard

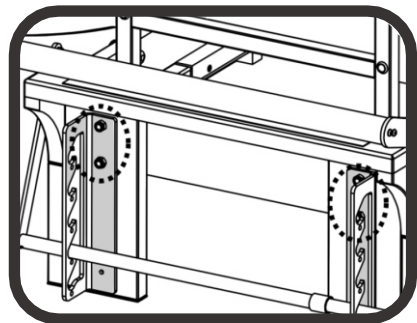
With the Jump Board still in place, tighten the nuts on the footboard, using the 17MM COMBINATION WRENCH.

UPHOLSTERY ASSEMBLY

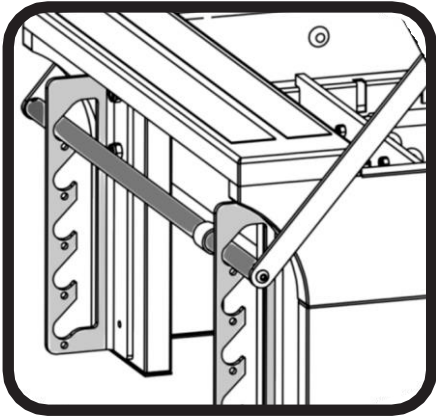
Align the holes in the upholstery with those in the structure. Secure them using the HEX SCREW RP ZB 1/4X2. Tighten up with the 11MM COMBINATION WRENCH.



Fitting the Jump Board to the Supports Fit the metal structure of the Jump Board to the tubes with the upholstery facing the headboard. Push the Jump Board from the top until it touches the stopper; do this on both sides in a balanced way to ensure that the pieces are aligned.

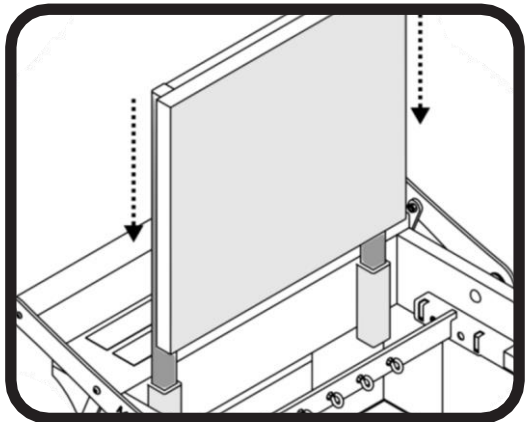


USER MANUAL



Place the support bar in the highest position.

Fit the metal frame of the Jump Board to the tubes with the upholstery facing the headboard. Push the Jump Board from the top until it finds the stopper.



DO IT IN A BALANCED WAY ON BOTH SIDES.



EXERCISES CANNOT BE PERFORMED WITH THE JUMPING BOARD USING MORE THAN 03 SPRINGS AT THE SAME TIME.

MAINTENANCE AND SAFETY

THIS MANUAL PROVIDES SOME SUGGESTIONS ON HOW TO KEEP YOUR APPLIANCE IN GOOD CONDITION FOR MUCH LONGER. CHECK THE CHARACTERISTICS OF YOUR EQUIPMENT BY CORRECTLY OBSERVING THE INSTRUCTIONS BELOW AND, IN CASE OF DOUBT, CONTACT TECHNICAL ASSISTANCE ON 0800 648 7400, OR BY EMAIL ASSISTENCIA@METALIFE.COM.BR. WE WILL BE AT YOUR DISPOSAL FOR ANY CLARIFICATIONS.



IT IS IMPORTANT THAT THE RECOMMENDATIONS IN THIS MANUAL BE OBSERVED AND GIVEN TO THOSE WHO CLEAN THE EQUIPMENT.

UPHOLSTERY

THE UPHOLSTERY IS COVERED WITH ECO LEATHER, WHICH, DESPITE ITS RESISTANT COATING MATERIAL, IS NOT INDESTRUCTIBLE AND WEARS OUT WITH USE AND TIME. FOLLOW MAINTENANCE PRECAUTIONS TO PROLONG THEIR SERVICE LIFE. DIRECT LIGHT IS DAMAGING AS IT DRIES OUT AND WEAKENS THE WEAVE AND CAN CAUSE CRACKING ON THE SURFACE. SO KEEP YOUR EQUIPMENT PROTECTED FROM SUNLIGHT. FREQUENT MAINTENANCE IS NECESSARY TO EXTEND SERVICE LIFE.

KEEP YOUR UPHOLSTERY CLEAN BY REMOVING THE DUST WITH A SOFT AND DRY CLOTH. FOR BEST SANITATION, USE ONLY A CLOTH MOISTENED WITH SOAP SOLUTION OR NEUTRAL DETERGENT. WE DO NOT RECOMMEND THE USE OF REMOVERS, SOLVENTS SUCH AS BENZINE, BLEACH, ALCOHOL, ABRASIVES, AMMONIA, POLISH FURNITURE, POLISHES AND OILS, AS THEY CAN ATTACK THE PROTECTION OF THE ECO LEATHER, FORMING CRACKS AND STAINS.

WOOD

BECAUSE IT IS A NATURAL RAW MATERIAL, WOODEN EQUIPMENT CAN PRESENT DIFFERENCES IN THE TONALITY. WOOD VEINS AND DRAWINGS ARE UNPREDICTABLE FOR THE SAME REASON. THE NATURAL AGEING OF THE PARTS IS ACCELERATED BY THE ACTION OF TEMPERATURE AND NATURAL HUMIDITY OF THE AIR, AND SMALL CRACKS AND FISSURES MAY APPEAR. WATER, HEAT, AND NATURAL OR ARTIFICIAL UV RAYS CAN CAUSE DECOUPLING, CRACKING, AND DISCOLOURATION OF WOOD AND VENEER. THEREFORE, THE APPARATUS MUST BE PROTECTED FROM THE AGENTS MENTIONED ABOVE. THE MORE PROTECTED AND WELL MAINTAINED, THE GREATER ITS DURABILITY. IN CASE OF LIQUID SPILLAGE, CLEAN



NEVER USE SHARP OR ABRASIVE OBJECTS ON THE SURFACE OF YOUR EQUIPMENT.

IMMEDIATELY AS THE WOOD MAY ABSORB AND STAIN IRREVERSIBLY. THE WOOD SURFACES ARE DELICATE; THEY ACCEPT CLEANING WITH DRY FLANNEL OR CLOTH MOISTENED IN SOLUTION OF NEUTRAL SOAP AND WATER WITH SUBSEQUENT DRYING. IT IS IMPORTANT TO DRY IMMEDIATELY TO PREVENT THE WOOD FROM ABSORBING MOISTURE.

PLASTICS

(KNOBS, HANDLES AND TIPS)

TO CLEAN THE PLASTIC PARTS, MOISTEN A CLEAN, SOFT CLOTH IN A SOLUTION OF WATER AND NEUTRAL DETERGENT AND WIPE OVER THE ENTIRE SURFACE, THEN DRY.



NEVER USE SOLVENTS SUCH AS BENZINE, THINNER, ACETONE AND OTHERS, AS WELL AS ABRASIVE PRODUCTS SUCH AS SOAP, STEEL SPONGES AND THE LIKE, WHICH CAN IRREVERSIBLY ATTACK PLASTIC MATERIALS.

HANDLES (not included)

THE MAINTENANCE OF HANDLES IS ESSENTIAL TO PROLONG THEIR SERVICE LIFE AND MAINTAIN HYGIENE. DO NOT MACHINE WASH. METAL HALF-RINGS CAN DAMAGE YOUR APPLIANCE. TO SANITIZE THE HANDLES, MOISTEN A CLEAN, SOFT CLOTH WITH MILD SOAP OR MILD DETERGENT SOLUTION AND RUN THROUGH THE HANDLE. RINSE WITH A DAMP CLOTH, THEN DRY.

DO NOT USE ALCOHOL OR BLEACH, THESE PRODUCTS CAN DAMAGE AND STAIN THE HANDLES. ALSO AVOID EXCESSIVE EXPOSURE TO SUNLIGHT, IT DAMAGES AND DRIES THE WEAVE OF THE STRAPS. FOR VELCRO STRAPS, IT IS RECOMMENDED TO BE CLOSED WHEN NOT IN USE TO AVOID LINT BEING ATTACHED TO THE HOOKS.

METALS AND FINISHING

ACCUMULATED DUST, HUMIDITY, AND CORROSIVE SEA AIR ARE THE MAIN FACTORS THAT ACCELERATE METAL OXIDATION. OUR PRODUCTS ARE MADE FOR INDOOR USE AND DIRECT EXPOSURE TO THE ELEMENTS IS NOT RECOMMENDED. THE CLEANING OF METAL SURFACES, WHETHER IN POLISHED STAINLESS STEEL, ALUMINUM, NICKEL PLATED, ANODIZED, GALVANIZED, CHROMED OR PAINTED, MUST BE DONE AT LEAST WEEKLY, ALWAYS USING A DRY FLANNEL TO COMPLETELY REMOVE THE DUST.

FOR HEAVIER CLEANING, THE RAILS CAN BE CLEANED WITH A CLOTH MOISTENED WITH ALCOHOL. NEVER SPILL ALCOHOL DIRECTLY INTO THE EQUIPMENT. AVOID KNOCKS, WHICH DAMAGE THE SURFACE FINISH, LEAVING THE METAL APPARENT AND SUSCEPTIBLE TO OXIDATION. NEVER USE ABRASIVE MATERIALS SUCH AS STEEL SPONGES, SYNTHETIC SPONGES, CREAM CLEANERS OR SOLVENTS. NEVER ALLOW ANY LIQUID TO DRY ON THE PART. IF LIQUIDS ARE SPILLED, DRY IMMEDIATELY AND REMOVE ANY RESIDUE WITH A SPONGE MOISTENED IN CLEAN WATER, THEN DRY THOROUGHLY. FOR THE REMOVAL OF STAINS ON PAINTED, CHROMED AND NICKEL-PLATED PIECES, WE RECOMMEND THE USE OF A CLEAN COTTON CLOTH OR FLANNEL, USING NEUTRAL DETERGENT OR, IN MORE DIFFICULT CASES, CAR WAX.

IN THE CASE OF CARABINERS, FOR THE REMOVAL OF STAINS AND POSSIBLE SIGNS OF OXIDATION, THE AFFECTED PART CAN BE CLEANED WITH A CLOTH SOAKED IN VINEGAR (KITCHEN). LEAVE THE CARABINERS IMMERSSED IN WHITE VINEGAR FOR THREE HOURS AND POLISH WITH A STEEL SPONGE. THIS PROCEDURE DOES NOT RESTORE THE CARABINERS, IT ONLY REMOVES THE OXIDIZED LAYER, LEAVING THEM CLEANER, MORE BEAUTIFUL AND PROLONGING THEIR SERVICE LIFE. CARABINERS THAT UNDERGO THIS PROCESS WILL LOOK DARKER THAN THE ORIGINAL CARABINER. SEE BELOW THE LIST SHOWING THE MATERIAL AND FINISH OF EACH PART OF THE JUMP BOARD:

- PAINTED – STRUCTURE

SAFETY



FAILURE TO COMPLY WITH SAFETY RECOMMENDATIONS MAY RESULT IN SERIOUS BODILY INJURY.

LIKE ALL MECHANICAL EQUIPMENT, PILATES EQUIPMENT IS SUBJECT TO WEAR AND STRESS.

PROPER MAINTENANCE AND PERIODIC REPLACEMENT OF ITS COMPONENTS ARE YOUR RESPONSIBILITY, HELPING PREVENT ACCIDENTS.

DO NOT USE PRODUCTS THAT ARE NOT PROVIDED BY METALIFE DURING MAINTENANCE AND REPLACEMENT OF ITS COMPONENTS.

METALIFE ASSUMES NO LIABILITY UNDER ANY FORM OF IMPROPER USE OF THE EQUIPMENT. ENSURE THAT IT IS INSTALLED IN A SUITABLE ENVIRONMENT FOR PILATES PRACTICE (AS PREVIOUSLY DESCRIBED). DRESS APPROPRIATELY. DO NOT WEAR VERY WIDE CLOTHES, EARRINGS, WATCHES, RINGS, BRACELETS, CHAINS OR ANY OTHER TYPE OF ACCESSORIES. KEEP YOUR HAIR AND CLOTHING AWAY FROM MOVING PARTS. LOOSE-FITTING CLOTHES, JEWELRY OR LONG HAIR CAN BE TRAPPED BY THE MOVING PARTS.

USE THE EQUIPMENT ONLY FOR EXERCISES DEFINED BY THE PILATES METHOD. SEE A DOCTOR BEFORE STARTING ANY PHYSICAL EXERCISE PROGRAM. STOP ANY EXERCISE IF YOU EXPERIENCE CHEST PAIN, SHORTNESS OF BREATH, DIFFICULTY IN BREATHING, FEELING FAINT OR ANY TYPE OF MUSCLE DISCOMFORT. MAKE SURE YOU FIND PROFESSIONAL GUIDANCE IMMEDIATELY.

THE APPLICATION OF THE PILATES METHOD, AS WELL AS THE USE OF ITS EQUIPMENT, SHOULD ONLY BE PERFORMED UNDER THE GUIDANCE OF PROFESSIONALS WHO ARE PROPERLY TRAINED AND QUALIFIED IN THE PILATES METHOD.

DO NOT ALLOW CHILDREN TO USE THE EQUIPMENT WITHOUT THE CONSTANT SUPERVISION OF A PROPERLY TRAINED AND QUALIFIED PILATES INSTRUCTOR.

DO NOT USE ANY PARTS, TOOLS OR SUBSTANCES (LUBRICANTS) THAT ARE NOT SPECIFIED IN THE EQUIPMENT MANUAL.

PRE-USE SAFETY INSPECTION

SAFETY INSPECTION MUST BE PERFORMED BEFORE EACH USER PERFORMS THEIR EXERCISES. FOR EACH NEW EXERCISE, THE DEVICES AND ACCESSORIES TO BE USED SHOULD BE PREVIOUSLY CHECKED FOR SAFETY, CLEANLINESS AND SUITABILITY PURPOSES.

- MAKE SURE THAT ALL EQUIPMENT COMPONENTS ARE PROPERLY SECURED AND POSITIONED BEFORE PERFORMING THE EXERCISES;

- MAKE SURE THAT CARABINERS, HANDLES, STRAPS AND SPRINGS (OPTIONAL) ARE INTACT AND PROPERLY ADJUSTED.

- WHEN USING SYSTEMS THAT INCLUDE THE USE OF CARABINERS, MAKE SURE THEY ARE PROPERLY ADJUSTED, CLOSED, AND LOCKED. DO NOT USE THE EQUIPMENT AND/OR ACCESSORIES IF THEY PRESENT SIGNS OF WEAR, BREAKAGE OR DAMAGE IN ANY OF THEIR COMPONENTS;
- MAKE SURE THAT THE EQUIPMENT IS PROPERLY ADJUSTED TO SUIT THE USER'S SIZE AND SKILL LEVEL;
- IF THERE IS A NEED TO EXCHANGE COMPONENTS, REPLACE THEM ONLY WITH PARTS SUPPLIED BY METALIFE, ENSURING THEIR SAFETY AND DURABILITY.

WEEKLY PERIODIC REVIEW

THE WEEKLY PERIODIC REVIEW COMPLEMENTS THE SAFETY INSPECTION AND MUST BE PERFORMED ON A WEEKLY BASIS BY A SUITABLY QUALIFIED PROFESSIONAL TRAINED IN THE PILATES METHOD.

- MAKE SURE THAT ALL COMPONENTS ARE PROPERLY ADJUSTED AND FREE OF ANY DEFORMATION OR WEAR, AND REPLACE THEM AS SOON AS ANY SIGNS OF CHANGE ARE DETECTED;
- MAKE SURE ALL KNOBS ARE CORRECTLY POSITIONED AND SECURED.
- MAKE SURE ALL EYE BOLTS ARE CORRECTLY POSITIONED AND LOCKED;
- CHECK FOR ANY KIND OF DEFORMATION OR WEAR ON THE SPRINGS AND CARABINERS, AND REPLACE THEM AS SOON AS ANY SIGNS OF CHANGE ARE DETECTED;
- CHECK THE EQUIPMENT PERIODICALLY FOR LOOSE SCREWS AND TIGHTEN THEM WITH THE SUPPLIED KEYS, IF APPLICABLE.

QUARTERLY PERIODIC REVIEW

THIS REVIEW SUPPLEMENTS THE WEEKLY PERIODIC REVIEW AND SHOULD BE PERFORMED EVERY THREE MONTHS, OR IN THE MAXIMUM PERIOD OF 1,000 (THOUSAND) HOURS OF USE, BY A SUITABLY QUALIFIED PROFESSIONAL TRAINED IN THE PILATES METHOD. IT IS EXTREMELY IMPORTANT TO CARRY OUT A CAREFUL INSPECTION OF THE EQUIPMENT, AS WELL AS TESTS OF ITS MECHANISMS TO ATTEST ITS FUNCTIONALITY.

- PERFORM A THOROUGH INSPECTION ON THE EQUIPMENT, TRY TO IDENTIFY ANY POSSIBLE CHANGES;

- MAKE ALL NECESSARY ADJUSTMENTS, ENSURING THAT THE COMPONENTS ARE CORRECTLY POSITIONED, ADJUSTED AND SECURED. USE THE SUPPLIED TOOLS (SEE PAGE 10) WITH THE EQUIPMENT TO ENSURE PROPER ATTACHMENT;

- INSPECT ALL COMPONENTS FOR DEFORMATIONS, CUTS, CRACKS, OR ANY OTHER VARIATION THAT SEEMS UNUSUAL IN THE EQUIPMENT. REPLACE THE DAMAGED COMPONENT OR CONTACT METALIFE SERVICE IMMEDIATELY.

ANY FAULTY COMPONENT SHOULD NOT BE USED UNTIL IT IS PROPERLY REPAIRED OR REPLACED WITH A NEW ONE;

- MAKE SURE THAT SPRING TENSIONING STILL CORRESPONDS TO ITS USE. IF VARIATIONS IN SPRINGS ARE IDENTIFIED, THEY SHOULD BE REPLACED IMMEDIATELY.

SPRINGS HAVE A MAXIMUM LIFE SPAN OF TWO YEARS OR EIGHT THOUSAND HOURS OF USE, WHICHEVER COMES FIRST. AFTER THIS PERIOD, REPLACE THEM;

- REPLACE ALL CARABINERS EVERY 24 MONTHS OR AS NEEDED WITHIN THIS PERIOD;
- MAKE SURE THAT ALL STRAPS REMAIN FULLY ATTACHED TO THE VELCRO (IF FITTED) IN ORDER TO KEEP THE USER'S SAFETY. IN CASE OF WEAR, THE COMPONENT MUST BE REPLACED IMMEDIATELY.

DO NOT LEAVE IT IN A HUMID ENVIRONMENT. DO NOT DRY IN THE SUN. DO NOT USE CHEMICAL PRODUCTS FOR WASHING, ESPECIALLY ALCOHOL AND SOLVENT, AS SUCH PRODUCTS CAN ALTER THE SURFACE FINISH OF THE EQUIPMENT. INADEQUATE VERIFICATION OF THE ITEMS INCLUDED IN THIS REVIEW, AS WELL AS THE USE OF EQUIPMENT WITH INADEQUATE ADJUSTMENT, CAN RESULT IN DAMAGE TO THE EQUIPMENT, IN ADDITION TO ALLOWING SERIOUS ACCIDENTS TO ITS USERS.

WARRANTY TERM

Your Metalife Pilates product is warranted against manufacturing defects that have been duly verified by Metalife Ind. e Com. de Móveis Ltda., or by its authorized technical assistance network, during the legal term of 03 (three) months, counted from the date of the invoice, with Metalife granting 21 (twenty-one) months free of charge as an additional warranty, totaling 24 (twenty-four) months as a longer term, following the classification below:

03 (three) months – ropes, upholstery, fabrics, rubbers and in cases of displacement or corrosion in surface finishes such as paints (including varnish), chrome plating, nickel plating and zinc plating; 06 (six) months – hardware, plastic parts and springs (only against the breaking of these pieces); 24 (twenty four) months – structural parts made of wood or metal that are subjected to structural stress;

The serial number, invoice number, type and model of the equipment must be provided in order to request the warranty and facilitate its service.

Legal or extended warranties are automatically invalidated if:

- The use of the product is not exclusive to exercises defined by the Pilates Method;
- The use of parts, tools, or substances (lubricants, cleaners, etc.) not indicated in the equipment manual and/or non-original is detected;
- The guidelines, recommendations, and specifications in the Equipment Manual for use, pre-use inspections, product reviews and preventative maintenance are not followed, and these costs are not covered by Metalife;
- In the installation of the product, the specifications and recommendations of the Equipment Manual are not observed for the conditions of the installation site of the product, such as leveling and stability of the floor, suitability of the site for installation, use of suitable tools and failure to comply with the assembly steps;
- There has been an improper use, misuse or if the product has undergone changes or aesthetic and/or functional modifications, as well as having been repaired by persons or entities not authorized by Metalife Ind. e Com. de Móveis Ltda.;
- There are signs of product violation, removal and/or tampering with the serial number or product identification label and springs, replacement of parts by other parts that are not original or not authorized by Metalife Ind. e Com. de Móveis Ltda.

Legal and extended warranties do not cover:

- Expenses with the installation of the product performed by persons or entities not authorized by Metalife Ind. e Com. de Móveis Ltda.;
- Expenses arising and resulting from the installation of parts and accessories that do not belong to the product, even those sold by Metalife Ind. e Com. de Móveis Ltda., except for those specified for each model in the Equipment Manual;
- Expenses with labor, materials, parts and adaptations necessary to prepare the place for installation of the product;
- Failure to operate the product due to the user's lack of knowledge in the application of the Pilates Method;
- Services and expenses for maintenance and cleaning of the product;
- Failures in the normal operation of the product due to lack of cleaning and excess residue, or due to the existence of objects foreign to the operation and purpose of use;
- Transport of the product to the final location of the installation;
- Products or parts that have been damaged as a result of removal, handling, falls or acts and effects arising from nature, such as oxidation, exposure to moisture or rain, flood, tornado, seismic events, etc.;

- *Costs of inspection and diagnostic processes (including technical visit fee) determining that the failure was caused by reason not covered by this warranty;*
- *Expenses arising from sending and returning the product for maintenance;*
- *Travel to service products that are installed outside the headquarters of the Metalife technical assistance center, which may charge a technician's travel fee, previously approved by the client, according to the mileage table used by Metalife Ind. e Com. de Móveis Ltda. and disclosed through the authorized Metalife Technical Assistance service;*
- *Parts worn by natural use such as handles, upholstery, rubber trim, springs, ropes, carabiners, knobs, as well as the workmanship used to replace these parts and the consequences of such occurrences.*

General considerations:

- *Metalife does not authorize any person or entity to assume, on its behalf, any other liability related to the warranty of its products, other than those set forth herein;*
- *Metalife reserves the right to alter general, technical and aesthetic characteristics of its products, without prior notice, and this warranty term is valid for products sold and installed in the Brazilian territory;*
- *For your peace of mind, preserve and keep the warranty term, the equipment manual and the product purchase invoice always at hand;*
- *To prevent the equipment from being sent to the Metalife factory, where it would be analyzed, we suggest sending photos and videos related to your request to facilitate the issuance of the report, which will make your service even faster;*
- *The owner of the equipment is fully responsible for any and all occurrences that may cause physical and material damage to third parties, due to misuse, incorrect installation, lack of monitoring by a professional accredited in the Pilates Method or also due to lack of inspections (before each use), revisions and preventive maintenance of all Metalife equipment, according to the owner's manuals accompanying the products.*

Refer to the Equipment Manual or contact Metalife Service Department on 0800 648 7400 or by email: assistencia@metalife.com.br.



Metalife Indústria e Comércio de Móveis Ltda
Rodovia BR 280, 2.147 - Galpão 1
Rio Negrinho - SC
CEP 89295-000
www.metalifepilates.com.br